

USB to mSATA Converter for Raspberry Pi and Development Boards

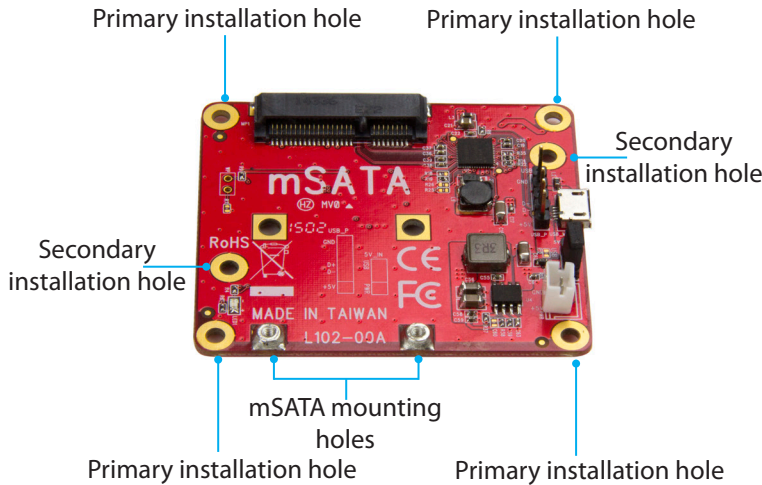
PIB2MS1

- FR: Guide de l'utilisateur - fr.startech.com
- DE: Bedienungsanleitung - de.startech.com
- ES: Guía del usuario - es.startech.com
- NL: Gebruiksaanwijzing - nl.startech.com
- PT: Guia do usuário - pt.startech.com
- IT: Guida per l'uso - it.startech.com

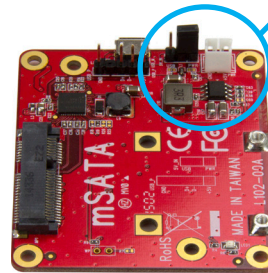
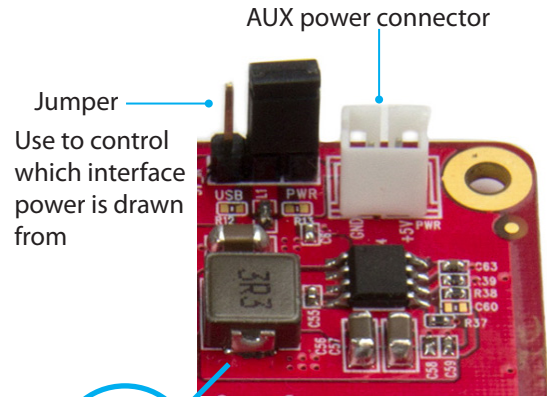
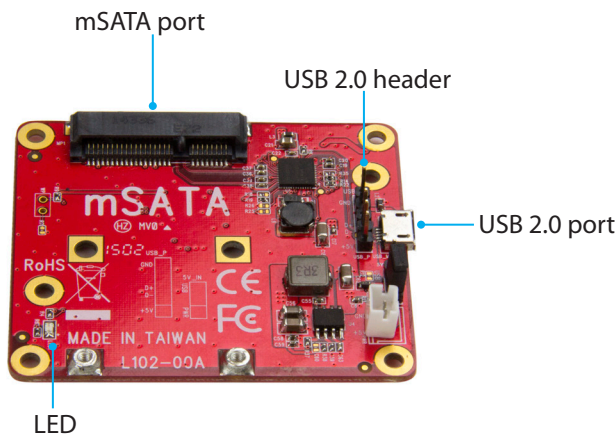
Introduction

You can use the PIB2MS1 to connect an mSATA drive to a development board to increase data storage capacity and performance. The PIB2MS1 supports SATA I, SATA II, and SATA III drives, mini mSATA drives, and mSATA SSDs.

Product diagram

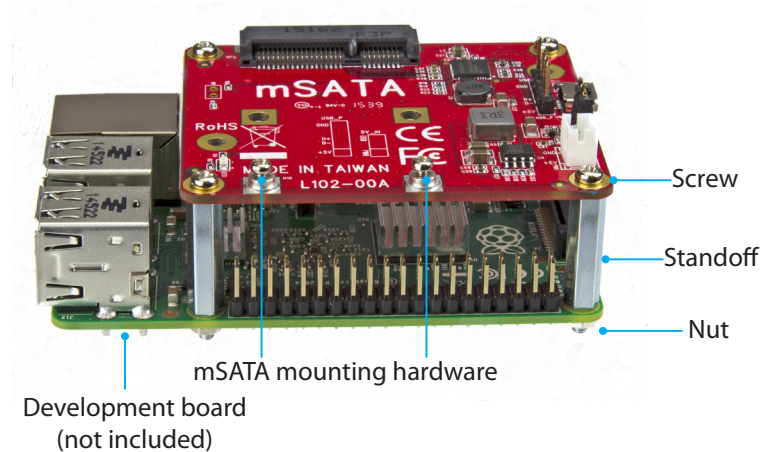


*actual product may vary from photos



Jumper position	Mode
	USB powered
	AUX powered

Converter installed on a development board



Package contents

- 1 x USB to mSATA converter
- 1 x USB-A to Micro-B cable
- 4 x standoffs
- 4 x nuts
- 4 x screws
- 2 x mSATA mounting screws
- 1 x quick-start guide

About the LED indicator

The PIB2MS1 has a green LED indicator that illuminates to indicate activity.

Requirements

- mSATA drive
- Development board, for example, Raspberry Pi (not included)
- Screwdriver

This converter is OS independent and doesn't require any additional drivers or software.

Requirements are subject to change. For the latest requirements, please visit www.StarTech.com/PIB2MS1.

Install a drive in the converter

1. Use a screwdriver (not provided) to remove the two **mSATA mounting screws** from the **mSATA mounting holes** on the converter.
2. Gently slide the mSATA connector on your drive into the corresponding connector on the **mSATA port** on the converter.
Note: The connector on your drive is keyed so that it only fits one way.
3. Insert the **mSATA mounting screws** that you removed in step 1 through the mounting holes on the drive and into the **mSATA mounting holes** on the converter, and tighten the screws in place.

To remove a drive, use a screwdriver to remove the **mSATA mounting hardware** that is holding the drive in place and pull the drive out of the converter.

FCC Compliance Statement

This equipment has been tested and found to comply with the limits for a Class B digital device, pursuant to part 15 of the FCC Rules. These limits are designed to provide reasonable protection against harmful interference in a residential installation. This equipment generates, uses and can radiate radio frequency energy and, if not installed and used in accordance with the instructions, may cause harmful interference to radio communications. However, there is no guarantee that interference will not occur in a particular installation. If this equipment does cause harmful interference to radio or television reception, which can be determined by turning the equipment off and on, the user is encouraged to try to correct the interference by one or more of the following measures:

- Reorient or relocate the receiving antenna.
- Increase the separation between the equipment and receiver.
- Connect the equipment into an outlet on a circuit different from that to which the receiver is connected.
- Consult the dealer or an experienced radio/TV technician for help

This device complies with part 15 of the FCC Rules. Operation is subject to the following two conditions: (1) This device may not cause harmful interference, and (2) this device must accept any interference received, including interference that may cause undesired operation. Changes or modifications not expressly approved by StarTech.com could void the user's authority to operate the equipment.

Industry Canada Statement

This Class B digital apparatus complies with Canadian ICES-003.
Cet appareil numérique de la classe [B] est conforme à la norme NMB-003 du Canada.
CAN ICES-3 (B)/NMB-3(B)

Install the converter

Warning! Drives and converters should be handled carefully, especially when they're transported. If you're not careful with your drives, you may lose data as a result. Always handle storage devices with caution. Make sure that you're properly grounded by wearing an anti-static strap when you install any computer component. If an anti-static strap isn't available, touch a large, grounded metal surface for several seconds to discharge any built-up static electricity.

1. Place the provided standoffs into the installation holes on the development board (not included).
2. To affix the standoffs in place, screw the provided nuts onto the standoff threads on the reverse side of the development board.
3. Line up the **Installation holes** on the converter with the standoffs affixed to the development board.
4. Insert the provided screws into the **Installation holes** on the converter and into the standoffs, and tighten them in place.
5. Connect the provided USB-A to Micro-B cable to the **USB 2.0 port** on the converter and to the USB port on the development board.

Use of Trademarks, Registered Trademarks, and other Protected Names and Symbols

Raspberry Pi is a trademark of the Raspberry Pi Foundation.

This manual may make reference to trademarks, registered trademarks, and other protected names and/or symbols of third-party companies not related in any way to StarTech.com. Where they occur these references are for illustrative purposes only and do not represent an endorsement of a product or service by StarTech.com, or an endorsement of the product(s) to which this manual applies by the third-party company in question. Regardless of any direct acknowledgement elsewhere in the body of this document, StarTech.com hereby acknowledges that all trademarks, registered trademarks, service marks, and other protected names and/or symbols contained in this manual and related documents are the property of their respective holders.

Technical Support

StarTech.com's lifetime technical support is an integral part of our commitment to provide industry-leading solutions. If you ever need help with your product, visit www.startech.com/ support and access our comprehensive selection of online tools, documentation, and downloads. For the latest drivers/software, please visit www.startech.com/downloads

Warranty Information

This product is backed by a two-year warranty.

StarTech.com warrants its products against defects in materials and workmanship for the periods noted, following the initial date of purchase. During this period, the products may be returned for repair, or replacement with equivalent products at our discretion. The warranty covers parts and labor costs only. StarTech.com does not warrant its products from defects or damages arising from misuse, abuse, alteration, or normal wear and tear.

Limitation of Liability

In no event shall the liability of StarTech.com Ltd. and StarTech.com USA LLP (or their officers, directors, employees or agents) for any damages (whether direct or indirect, special, punitive, incidental, consequential, or otherwise), loss of profits, loss of business, or any pecuniary loss, arising out of or related to the use of the product exceed the actual price paid for the product. Some states do not allow the exclusion or limitation of incidental or consequential damages. If such laws apply, the limitations or exclusions contained in this statement may not apply to you.